

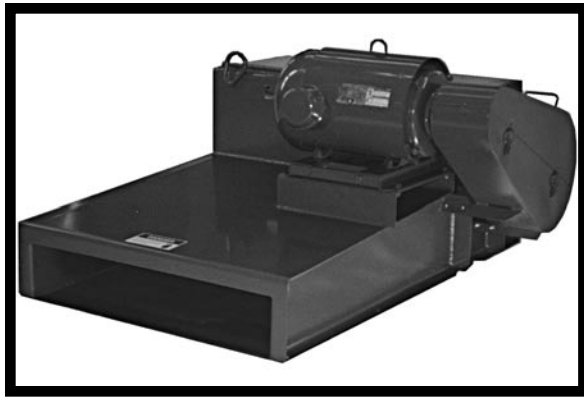


Shredders

For complete catalog, call G.F. Puhl at
(615) 859-4848

The G.F. Puhl Company
P.O. Box 486
Goodlettsville, TN 37072
Phone (615) 859-4848
Fax (615) 859-1479
www.gfpuhl.com
Email: sales@gfpuhl.com

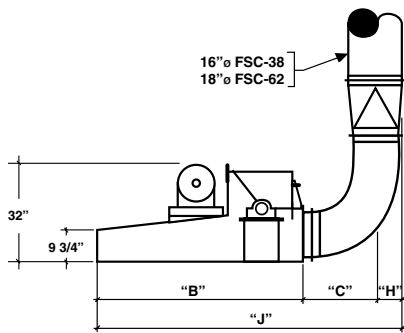
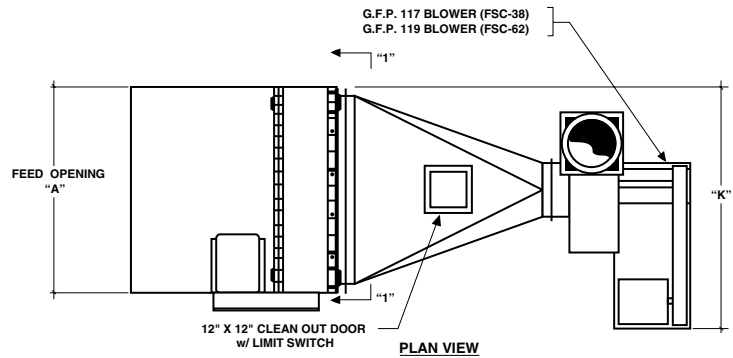
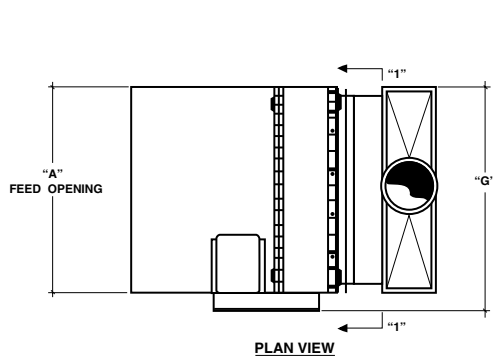
FLOOR SWEEP SHREDDER



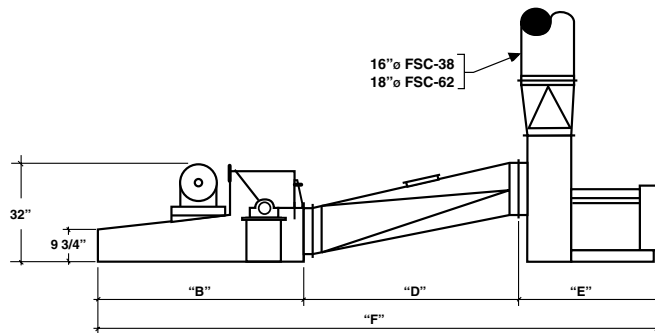
Efficient • Rugged • Compact

- Requires only a minimum amount of production floor space.
- Electrical Control Circuit Interrupt Switch on Inspection Access Cover.
- Safe Operator Distance provided by an extended entry feed opening.
- Material capacities up to 100 lbs. per minute.

The G.F. Puhl Floor Sweep Shredder provides a quick and efficient way to dispose of a wide variety of paper and corrugated scrap. The compact heavy duty design of this floor mounted shredder requires only a small amount of space, making it an excellent addition to your existing air conveyance system.



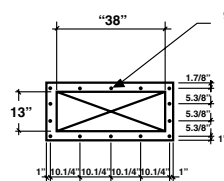
ARRANGEMENT "1"



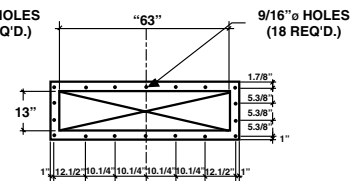
ARRANGEMENT "2"

| FLOOR SWEEP CONDITIONER | | | | | | | | | | | | |
|-------------------------|----|----|------|----|-------|--------|-------|----|-------|------|------|---------------|
| MODEL | A | B | C | D | E | F | G | H | J | K | H.P. | * APPROX. WT. |
| FSC-38 | 38 | 70 | 32.5 | 72 | 48.5 | 190.50 | 45.25 | 10 | 112.5 | 67.5 | 30 | 2800 |
| FSC-62 | 62 | 70 | 32.5 | 72 | 50.75 | 192.75 | 69.25 | 11 | 113.5 | 81.5 | 40 | 4200 |

* APPROX. WT. DOES NOT INCLUDE BLOWER.
 * G.F. PUHL COMPANY HAS A POLICY OF CONTINUOUS PRODUCT IMPROVEMENT AND RESERVES THE RIGHT TO CHANGE DESIGN AND/OR SPECIFICATIONS WITHOUT NOTICE.



SECTION "1-1"
DISCHARGE DETAIL
FSC 38



SECTION "1-1"
DISCHARGE DETAIL
FSC 62

