

Series 200 Blowers

Dimensions • Fan Discharges

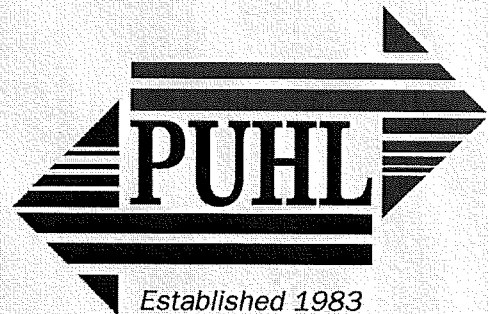
Custom engineered systems to fit your needs, entire new systems or additions to your existing systems to expand or improve your up time.

Trim Collection Systems • Balers

Touch Screen & Motor Control Centers

Blowers & Fans • Cyclones

240 Airport Road • Gallatin, TN 37066
Phone (615) 230-9500 • Fax (615) 230-9592
Email: sales@gfpuhl.com • www.gfpuhl.com



SERIES 200 BLOWERS

SPECIFICATIONS

DIMENSIONS

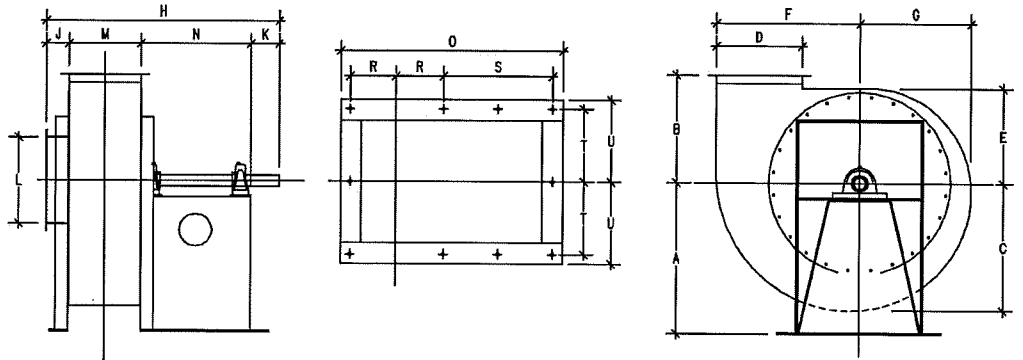
M and D are outside housing dimensions.

L dimension is inlet I.D.

J is from housing side over flange.

Dimensions not to be used for construction unless certified.

Tolerance $\pm 1/8"$



DIMENSIONS (Inches)

FAN SIZE	WHEEL DIA.	A	B	C	D	E	F	G	H	J	K	L (I.D.)	M	N
209	15 5/8	11 9/16	10 9/16	10 3/16	9 1/4	8 13/16	10 3/4	9 3/8	39 1/2	2 1/4	3 7/8	9 1/8	8	15 3/8
211	19	21 1/4	14	16	10 1/4	12	18	14	39 1/2	2 1/4	4 1/2	10 5/8	9 3/4	23
213	22 5/8	25 1/2	16 1/2	19	13	14	21 1/2	16 1/2	43 3/4	2 1/4	5	12 13/16	10 3/4	25 3/4
215	26 1/8	28	18 1/2	21 9/16	15	15 15/16	24 5/16	18 11/16	49 3/4	4 3/8	5 1/2	14 5/8	12 3/8	27 1/2
217	30	32 1/2	20 3/4	24 3/16	16 7/8	18	27 3/16	21 3/16	51 7/8	4 3/8	6	16 13/16	14	27 1/2

FAN SIZE	O	R	S	T	U	a	b	c	d	SHAFT DIA.	KEYWAY	BASE HOLES	MAX. RPM
209	12 1/4	1 3/4	7	9 3/8	5 1/2	11 13/16	17 1/16	12 15/16	10 11/16	1 11/16	3/8 x 3/16	3/4	4160
211	34 3/8	5 3/4	20 7/8	9 3/8	10 1/8	15	22 5/8	17	13	1 11/16	3/8 x 3/16	3/4	3495
213	39 9/16	7 3/16	22 3/8	10 7/8	11 1/2	17 5/8	26 5/8	20	15 1/4	1 15/16	1/2 x 1/4	3/4	2922
215	44 1/8	8 3/8	23 3/8	12 1/8	13 1/8	20 1/4	30 3/8	23	17 1/2	2 3/16	1/2 x 1/4	3/4	2531
217	45 11/16	9 1/8	23 3/8	13 5/8	14 1/2	23	34 3/8	26 1/8	19 7/8	2 7/16	5/8 x 5/16	3/4	2232

FAN DISCHARGES – VIEWED FROM DRIVE SIDE

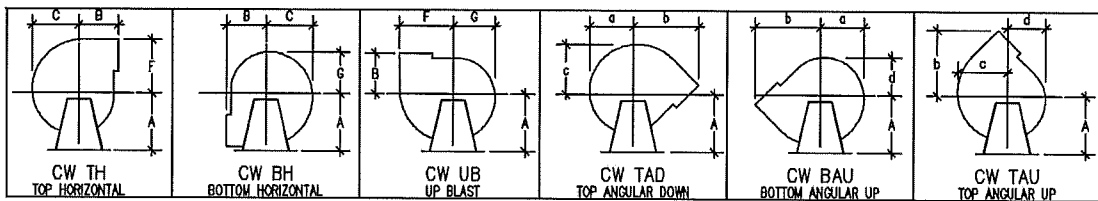


Figure 2

Figure 3

Figure 5

Figure 10

Figure 11

Figure 14

Clockwise – Angular Discharge at 45°

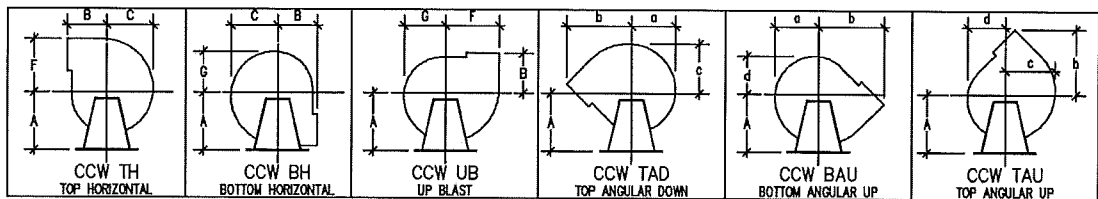


Figure 1

Figure 4

Figure 6

Figure 9

Figure 12

Figure 13

Counterclockwise – Angular Discharge at 45°

DIMENSIONS

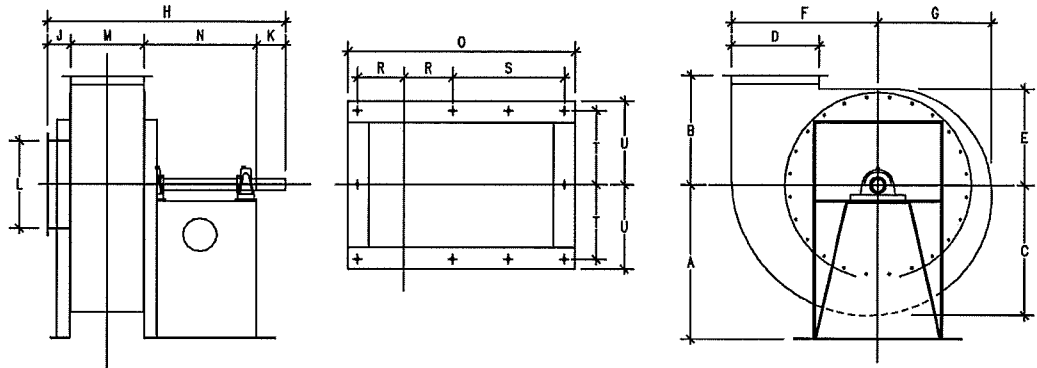
M and D are outside housing dimensions.

L dimension is inlet I.D.

J is from housing side over flange.

Dimensions not to be used for construction unless certified.

Tolerance $\pm 1/8"$



DIMENSIONS (Inches)

FAN SIZE	WHEEL DIA.	A	B	C	D	E	F	G	H	J	K	L (I.D.)	M	N
219	33	32 3/4	22 3/4	27 3/8	18 3/4	20 3/8	30 7/8	23 7/8	52 5/16	5 3/16	6 1/2	18 13/16	15 5/8	26
221	36 1/2	36 1/4	25 1/2	30 1/4	20 3/4	22 1/2	34 1/8	26 3/8	56 1/4	5 1/2	7	20 13/16	17 1/4	26 1/2
223	40	40	28	33 1/4	23	24 3/4	37 1/2	29	60 3/8	5 1/2	7 1/2	22 5/8	19	28 3/8
226	45 1/8	45	31 1/2	37 1/2	25 3/4	27 7/8	42 1/4	32 5/8	65 3/8	5 1/2	8	25 5/8	21 3/8	30 1/2

FAN SIZE	O	R	S	T	U	a	b	c	d	SHAFT DIA.	KEYWAY	BASE HOLES	MAX. RPM
219	50	10	13	15 7/8	17 5/8	25 3/4	38 1/8	29 1/4	22 3/8	2 11/16	5/8 x 5/16	3/4	2004
221	54	11 1/2	13 1/4	17 1/2	19 3/4	28 1/2	42 1/8	32 1/4	24 5/8	2 11/16	5/8 x 5/16	7/8	1791
223	56 3/8	12	14 3/16	19 5/16	21 5/8	31 1/8	46 1/4	35 3/8	27	2 11/16	3/4 x 3/8	7/8	1635
226	62 1/8	13 3/8	15 1/8	21 1/4	23 1/2	35 3/8	52 1/4	40	30 5/8	3 7/16	3/4 x 3/8	7/8	1449

FAN DISCHARGES – VIEWED FROM DRIVE SIDE

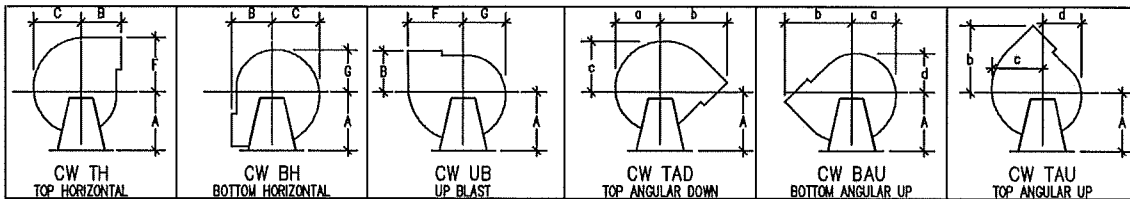


Figure 1

Figure 3

Figure 5

Figure 10

Figure 11

Figure 14

Clockwise – Angular Discharge at 45°

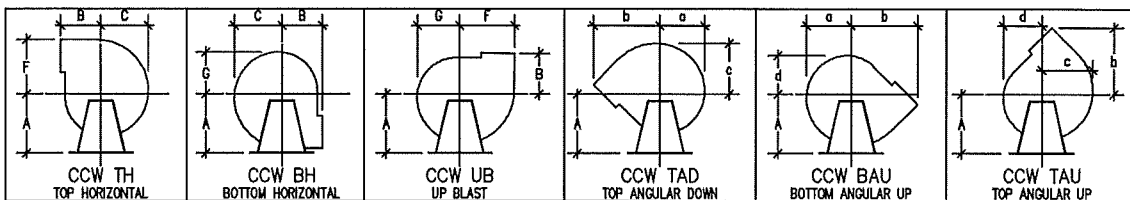


Figure 2

Figure 4

Figure 6

Figure 9

Figure 12

Figure 13

Counterclockwise – Angular Discharge at 45°

DIMENSIONS

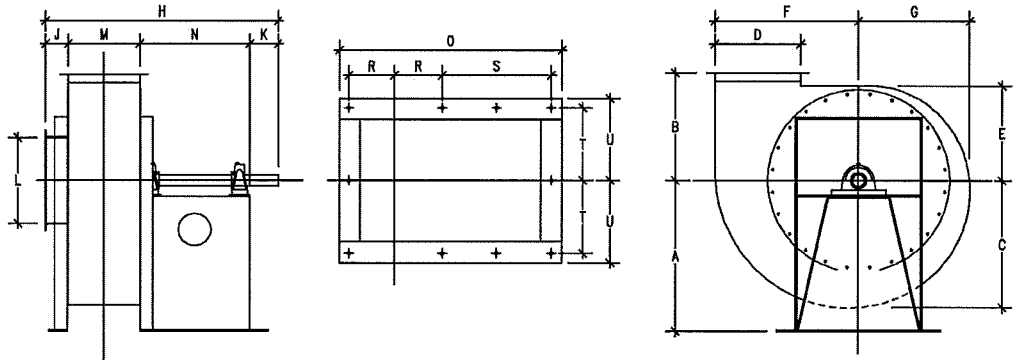
M and D are outside housing dimensions.

L dimension is inlet I.D.

J is from housing side over flange.

Dimensions not to be used for construction unless certified.

Tolerance $\pm 1/8"$



DIMENSIONS (Inches)

FAN SIZE	WHEEL DIA.	A	B	C	D	E	F	G	H	J	K	L (I.D.)	M	N
229	50 1/2	50 1/2	34 1/4	42	28 3/4	31 1/4	47 1/4	36 5/8	71 3/8	6 1/2	8 1/2	28 5/8	23 7/8	32 1/2
233	57 1/2	57 1/2	38 5/8	47 5/8	32 3/4	35 5/8	53 5/8	41 5/8	77 7/8	7 1/2	9	32 11/16	27 1/8	34 1/4
237	64 3/8	64	43	53 3/8	36 5/8	39 7/8	60 1/8	46 5/8	84 1/2	7 1/2	9 1/2	36 1/2	30 1/2	37

FAN SIZE	O	R	S	T	U	a	b	c	d	SHAFT DIA.	KEYWAY	BASE HOLES	MAX. RPM
229	64 1/2	14	16 1/4	22 1/4	24 1/4	39 3/8	57 3/4	44 5/8	34 1/8	3 15/16	1 x 1/2	1	1295
233	71 3/8	16 1/8	17 1/8	25	35 3/4	44 3/4	65 5/8	50 3/4	38 3/4	3 15/16	1 x 1/2	1	1137
237	77 1/2	17 3/4	18 1/2	30	39 1/8	50 1/4	72 7/8	57	43 1/2	4 7/16	1 x 1/2	1	1015

FAN DISCHARGES – VIEWED FROM DRIVE SIDE

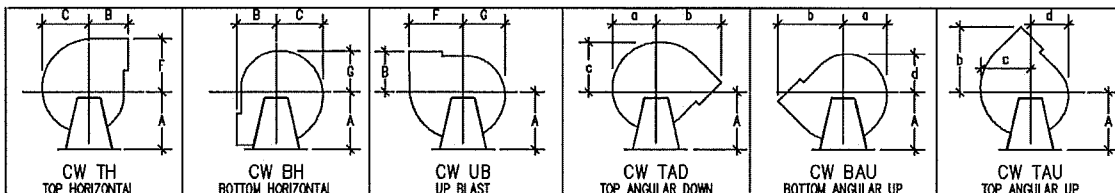


Figure 2

Figure 3

Figure 5

Figure 10

Figure 11

Figure 14

Clockwise – Angular Discharge at 45°

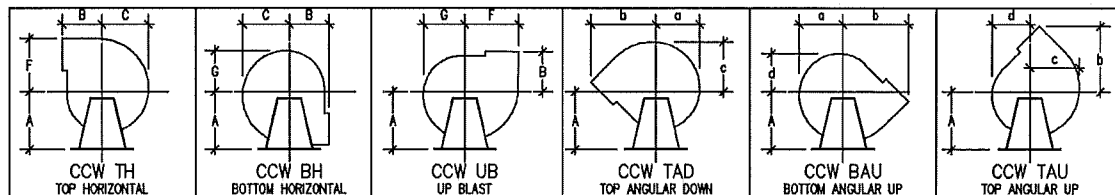


Figure 1

Figure 4

Figure 6

Figure 9

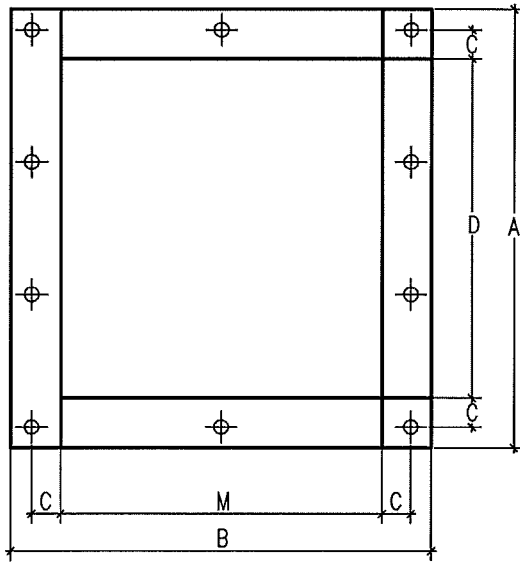
Figure 12

Figure 13

Counterclockwise – Angular Discharge at 45°

SERIES 200 BLOWERS

SPECIFICATIONS

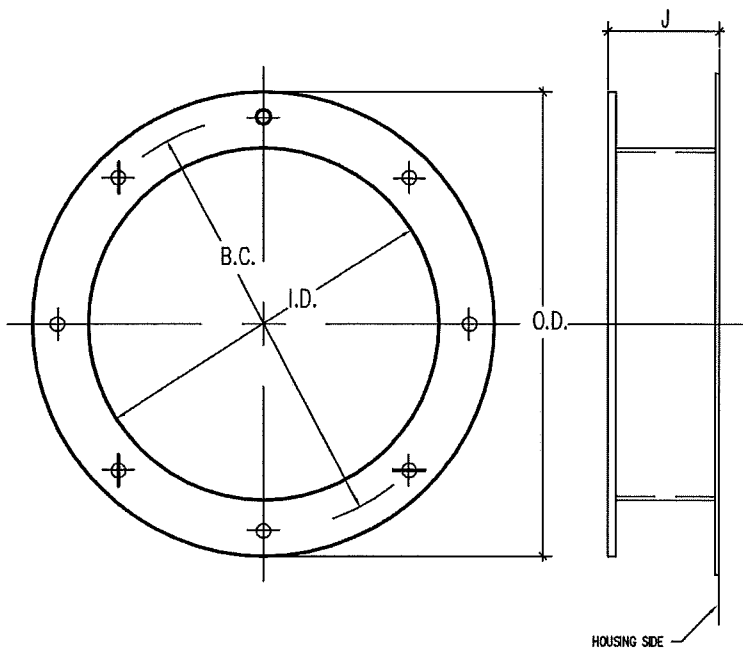


SIZE	A	B	C	D	M	HOLES	
						NO.	DIA.
209	12 1/4	11	7/8	9 1/4	8	12	7/16
211	13 1/4	12 3/4	7/8	10 1/4	9 3/4	12	7/16
213	16	13 3/4	7/8	13	10 3/4	12	7/16
215	18	15 3/8	7/8	15	12 3/8	16	7/16
217	19 7/8	17	7/8	16 7/8	14	16	7/16
219	21 3/4	18 5/8	7/8	18 3/4	15 5/8	16	7/16
221	23 3/4	20 1/4	7/8	20 3/4	17 1/4	20	7/16
223	26 7/8	23	1 1/8	22 7/8	19	24	9/16
226	29 3/4	25 3/8	1 1/8	25 3/4	21 3/8	24	9/16
229	32 3/4	27 7/8	1 1/8	28 3/4	23 7/8	24	9/16
233	36 5/8	31 1/8	1 1/8	32 5/8	27 1/8	32	9/16
237	40 5/8	34 1/2	1 1/8	36 5/8	30 1/2	32	9/16

TOLERANCE: $\pm 1/8"$

1. Mounted flush with edge of housing outlet.
2. Furnished as standard with holes on 4" center from centerline.

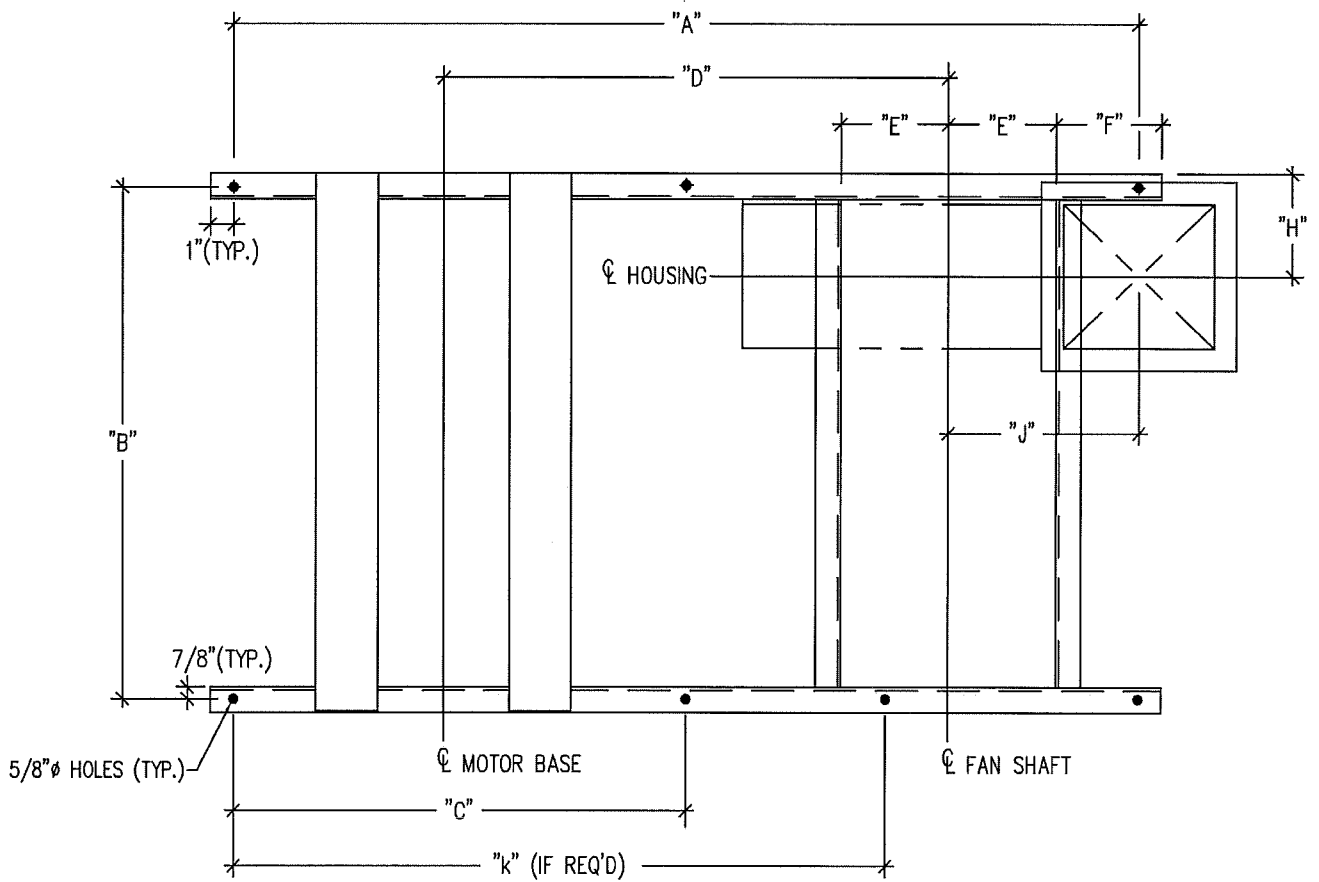
DIMENSION SHOULD NOT BE USED FOR CONSTRUCTION PURPOSES UNLESS CERTIFIED.



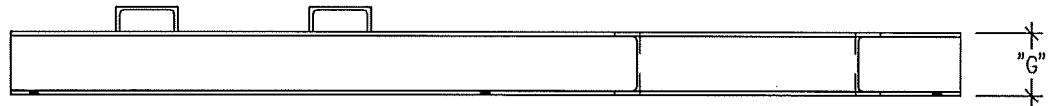
SIZE	I.D.	B.C.	O.D.	J	HOLES	
					NO.	DIA.
209	9 1/8	10 5/8	11 11/16	2 1/4	6	7/16
211	11 1/8	12 1/2	14	2 1/4	8	7/16
213	13 3/16	14 1/2	16	2 1/4	8	7/16
215	15 3/16	16 1/2	18	4 3/8	8	7/16
217	17 3/16	18 1/2	20	4 3/8	8	7/16
219	18 3/16	20 1/2	22	5 3/16	16	7/16
221	21 3/16	22 1/2	24	5 1/2	16	7/16
223	23 3/16	25	27	5 1/2	16	9/16
226	26 3/16	28	30	5 1/2	16	9/16
229	29 3/16	31	33	6 1/2	16	9/16
233	33 3/16	35	37	7 1/2	16	9/16
233	37 3/16	39	41	7 1/2	24	9/16

1. Furnished as standard with holes starting on vertical center line.
2. Dimension J is from housing side.

DIMENSION SHOULD NOT BE USED FOR CONSTRUCTION PURPOSES UNLESS CERTIFIED.



PLAN VIEW



SECTION

**SERIES 200
GENERAL
INDUSTRIAL
FANS**

**ARRANGEMENT
1 THRU 14**

SIZES 209 THRU 237

SIZE	A	B	C	D	E	F	G	H	J	K
209	31 1/4	17 5/16	15 5/8	19 1/16	8 5/16	9 5/8	3	6 5/8	15	-
211	60 3/8	33 3/8	30 11/16	10 1/4	8 1/4	5 1/8	4	6 1/8	12 7/8	-
213	62	36 3/16	31	34	9 7/16	5 1/2	6	6 5/8	15	-
215	66 3/4	40	33 3/8	35 3/4	11 1/2	5 1/8	6	7 7/16	16 13/16	-
217	66 3/4	41 1/8	33 3/8	33 3/4	12 1/2	5 1/2	6	8 1/4	18 3/4	-
219	71	45 1/2	35 1/2	34	14 3/4	6 3/8	6	9 1/4	21	-
221	78 1/2	48 3/4	24 5/16	20 3/4	16 1/2	6 7/8	6	9 7/8	23 3/4	-
223	94 1/2	52 3/8	48 1/4	42 7/8	18	12 1/2	8	10 3/4	26	-
226	93	59 1/8	31	44 3/8	18 11/16	11 5/8	8	11 5/8	29 3/8	62"
229	102 3/4	60 1/2	34 1/4	47 1/4	20 1/2	12	8	13 1/2	32 7/8	68 1/2
233	118 3/4	62 5/8	39 9/16	53 7/8	23 3/4	13	8	15 1/4	37 1/4	79 1/8
237	134 3/4	65	44 3/4	70	28 1/2	18	8	16 3/4	41 13/16	89 1/2

FAN ROTATION, DISCHARGE AND MOTOR MOUNTING

(When Viewed from Drive Side)

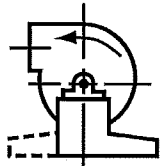


FIGURE 1
Top Horizontal
Counter Clockwise

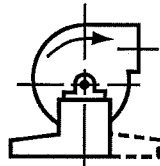


FIGURE 2
Top Horizontal
Clockwise

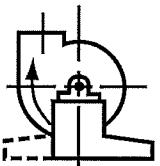


FIGURE 5
Up Blast
Clockwise

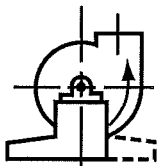


FIGURE 6
Up Blast
Counter Clockwise

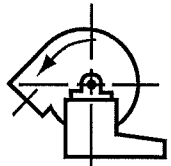


FIGURE 9
Top Angular Down
Counter Clockwise

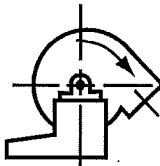


FIGURE 10
Top Angular Down
Clockwise

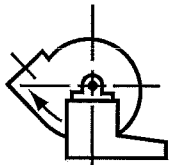


FIGURE 11
Bottom Angular Up
Clockwise

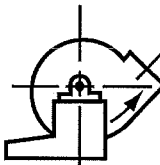


FIGURE 12
Bottom Angular Up
Counter Clockwise

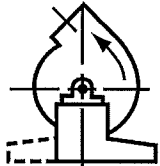
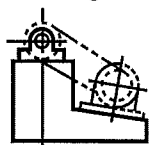


FIGURE 13
Top Angular Up
Counter Clockwise



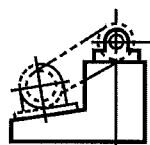
FIGURE 14
Top Angular Up
Clockwise

Motor Right Side



9R*
Arrangement

Motor Left Side



9L*
Arrangement

NOTE:

- Figures 9 and 11 use 9R arrangement only.
- Figures 10 and 12 use 9L arrangement only.
- Figures 11 and 12 require special (higher) bearing base on some sizes.

* Motor mounting bases are not pre-drilled for motor slide bases.

SERIES 200 BLOWERS ORDERING CHECKLIST

1. Quantity
2. Size
3. Figure (Rotation and Discharge)
If angular discharge, specify required angle measured from horizontal centerline.
4. Arrangement (motor mounting side)
5. Static Pressure and C.F.M. Requirements
6. Shipping Instructions:
 - Destination
 - Via
 - Prepaid or Collect
 - Shipping Date

The G.F. Puhl Co., Inc. can provide, at additional cost, the motor, motor slide base, V-belt drive and belt guard assembled on the exhauster in accordance with your requirements. Please specify motor horsepower and type enclosure (i.e. open drip proof, totally enclosed, fan cooled, etc.).

The capacity tables shown in this brochure are based on the exhauster handling standard air at 70° F., 29.92 barometric pressure at .075 pounds per cubic foot. For operating conditions other than these (high or low temperatures and/or high altitudes) contact the factory for corrected capacities.

Custom engineered systems to fit your needs, entire new systems or additions to your existing systems to expand or improve your up time.

Trim Collection Systems • Balers
Touch Screen & Motor Control Centers
Blowers & Fans • Cyclones

240 Airport Road • Gallatin, TN 37066
Phone (615) 230-9500 • Fax (615) 230-9592
Email: sales@gfpuhl.com • www.gfpuhl.com

