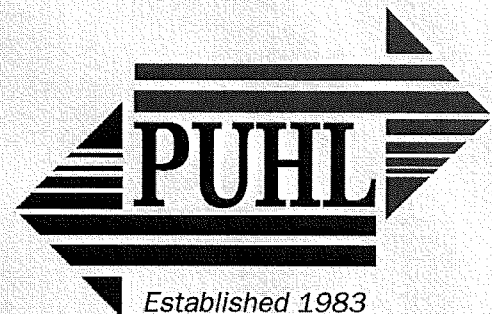


# Shredders

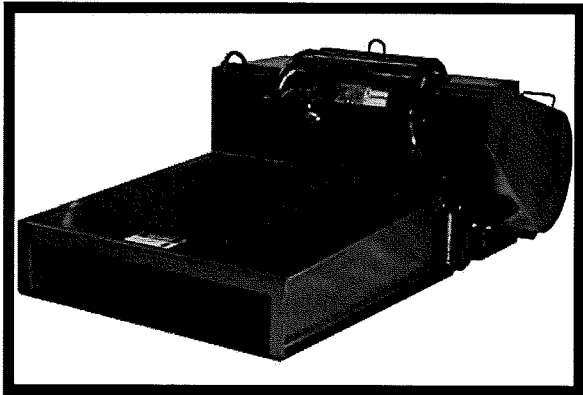
Custom engineered systems to fit your needs, entire new systems or additions to your existing systems to expand or improve your up time.

**Trim Collection Systems • Balers**  
**Touch Screen & Motor Control Centers**  
**Blowers & Fans • Cyclones**

240 Airport Road • Gallatin, TN 37066  
Phone (615) 230-9500 • Fax (615) 230-9592  
Email: [sales@gfpuhl.com](mailto:sales@gfpuhl.com) • [www.gfpuhl.com](http://www.gfpuhl.com)



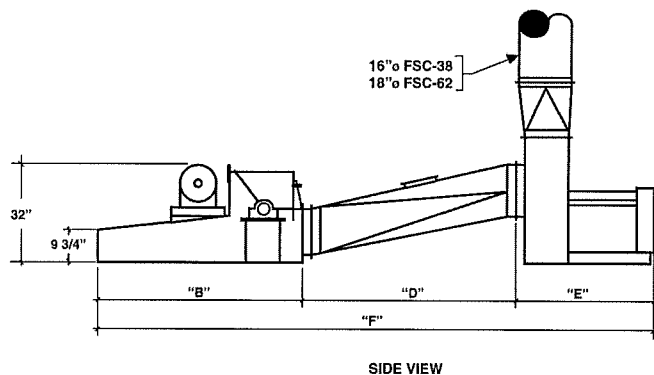
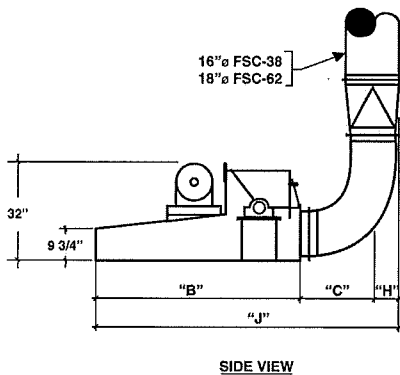
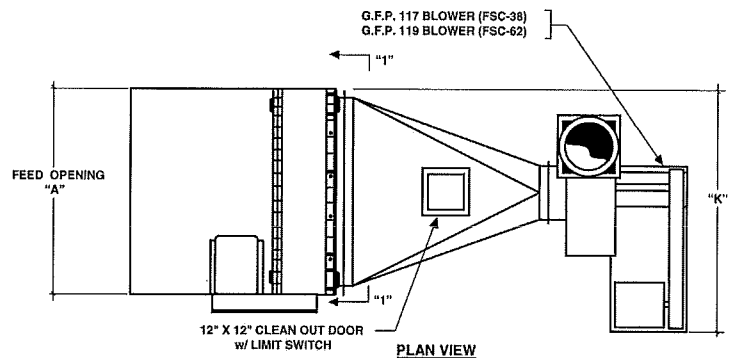
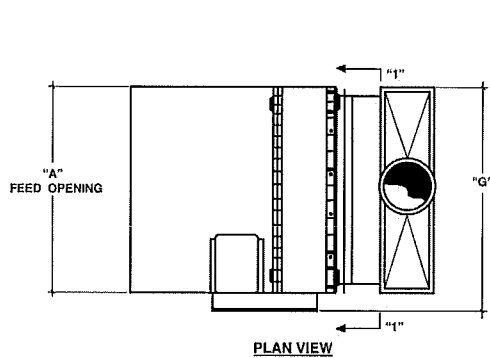
# FLOOR SWEEP SHREDDER



## Efficient • Rugged • Compact

- Requires only a minimum amount of production floor space.
- Electrical Control Circuit Interrupt Switch on Inspection Access Cover.
- Safe Operator Distance provided by an extended entry feed opening.
- Material capacities up to 100 lbs. per minute.

The G.F. Puhl Floor Sweep Shredder provides a quick and efficient way to dispose of a wide variety of paper and corrugated scrap. The compact heavy duty design of this floor mounted shredder requires only a small amount of space, making it an excellent addition to your existing air conveyance system.



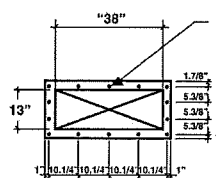
SIDE VIEW  
**ARRANGEMENT "1"**

SIDE VIEW  
**ARRANGEMENT "2"**

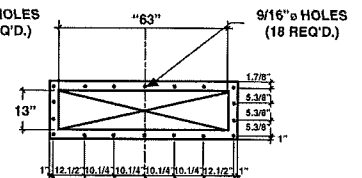
FLOOR SWEEP CONDITIONER												
MODEL	A	B	C	D	E	F	G	H	J	K	H.P.	* APPROX. WT.
FSC-38	38	70	32.5	72	48.5	190.50	45.25	10	112.5	67.5	30	2800
FSC-62	62	70	32.5	72	50.75	192.75	69.25	11	113.5	81.5	40	4200

\* APPROX. WT. DOES NOT INCLUDE BLOWER.

\* G.F. PUHL COMPANY HAS A POLICY OF CONTINUOUS PRODUCT IMPROVEMENT AND RESERVES THE RIGHT TO CHANGE DESIGN AND/OR SPECIFICATIONS WITHOUT NOTICE.



SECTION "1-1"  
DISCHARGE DETAIL  
**FSC 38**



SECTION "1-1"  
DISCHARGE DETAIL  
**FSC 62**